

MACK®

Performance on Demand.



MACK SUPER-LINER

Offering massive horsepower and torque, the Super-Liner is the truck of choice in those demanding line-haul B-double and B-triple applications. Designed for the B-double, interstate linehaul, triple road trains, low-loader, heavy haulage and anything in between, the Super-Liner.

Max GVWR

30.5

TONNE

Power

780

MAX HP

Peak Torque

2800

LBS.-FT. MAX

SUPER-LINER

Key Features

Perfect for B-double, heavy-haul, road train, and other heavy-duty applications

MP11 engine delivers up to 780hp and 2800lb.ft (3800 Nm) torque

mDRIVE™ automated manual transmission with deep reduction gears, takes all the effort out of gear changes and provides flexibility in low speed applications

Mack PowerLeash offers ultimate engine braking control under demanding conditions

“Road Stability Advantage” rollover prevention

Great fuel economy and low emissions

Mack Infotainment system with Apple CarPlay, Android Auto compatibility and wireless phone charging pocket

Quiet and comfortable cab with new cab suspension for an improved ride

Built in Australia for Australian conditions

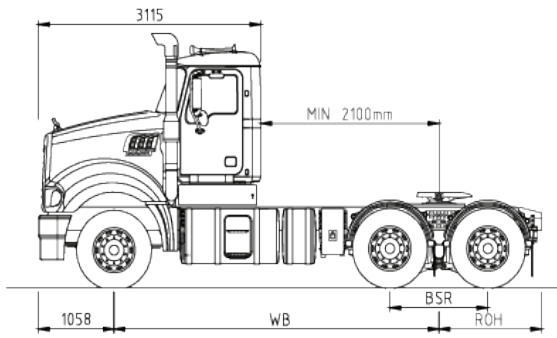


Comfortable Interiors

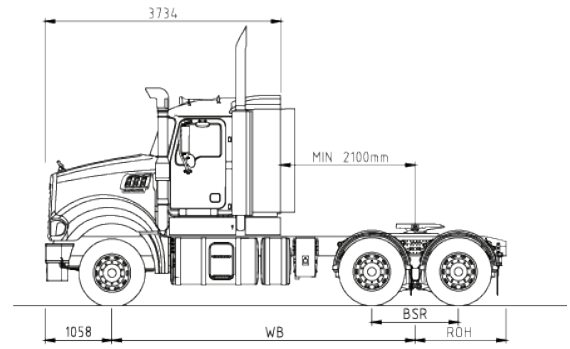
The Mack Super-Liner comes with new levels of driver comfort and functionality. Designed for the driver, with added cab suspension, a tilt/telescoping steering column, driver seat with air suspension and all the controls within reach, the cab offers an improved ride and reduced vibration in tough Australian conditions.

Total Support

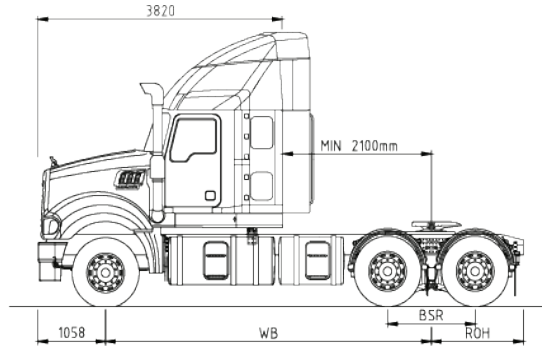
Mack Genuine Parts are as tough as your truck. With premium materials and precision engineering, they're built to take whatever the road can throw at them. Mack Total Support gives you the added confidence of warranties, servicing and maintenance from the people who made your machine. With Australia's largest dealer network, you can take advantage of the peace of mind that comes with a Mack service plan tailored to your business.



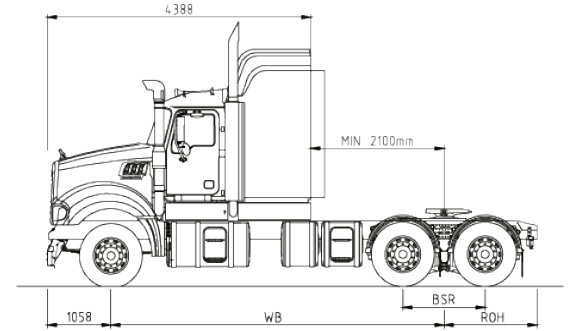
6x4 Day Cab



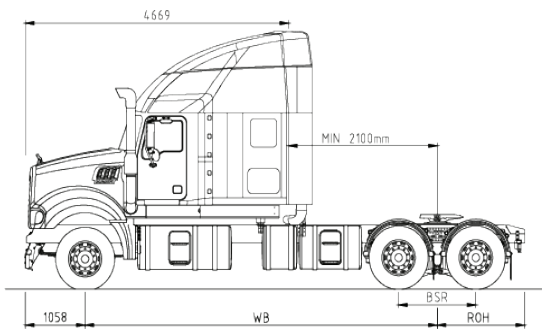
6x4 28" Super Cab (710mm)



6x4 36" Stand-Up Sleeper Cab (914mm)



6x4 58" Sleeper Cab (1,473mm)



6x4 70-Inch Sleeper Cab (1,778 mm)

Configuration*	6x4				
-----------------------	-----	--	--	--	--

GCM

Please speak with your Mack Dealer for GCM ratings specific to your chosen spec.

Cab Type		Day Cab	28" Supercab	36" Sleeper	58" Sleeper	70" Sleeper
Wheelbase	(mm.)	4,800, 5,250, 5,350, 5,450, 5,800, 6,050, 6,250	5,350, 5,450, 5,800, 6,050, 6,250	5,100	5,800	6,100
Maximum Fuel Capacity**	L	900 965	1,400	1,350	1,850	1,925 2,175
AdBlue Tank Capacity**	L	125 150	200	150	200	200

*Other configuration options available via C.A.

**Various fuel packages available.

ENGINE	Mack MP11 17 litre 600hp, 700hp & 780hp SCR Emission level Euro6 (ADR80-04)		
HP/Torque	600hp (441kW) / 2,212lb.ft (3,000Nm)		
	700hp (515kW) / 2,507lb.ft (3,400Nm)		
	780hp (574kW) / 2,800lb.ft (3,800Nm)		
Engine Brake	Advanced PowerLeash engine brake Engine retarding power up to 704hp (525kW)		
Exhaust	Single RHS frame mounted catalyst with stainless steel heat shield		
	Outlet twin 152mm (6") vertical exhaust		
	Exhaust tip height above ground 4.2m		
	RHS low underframe exhaust outlet		
Air Intake & Filter	Donaldson 279mm (11") single dry type, dual canisters mounted under the cab		
	Steel dust extractors and external raised air intakes mounted in front of the cabin 'A' pillars		
TRANSMISSION	STANDARD	OPTION	OPTION
Transmission Type	AMT <i>m</i> DRIVE 12-speed	AMT <i>m</i> DRIVE HD 13-speed	AMT <i>m</i> DRIVE XHD 14-speed
Multispeed Reverse Gears	4	6	6
LO / HI	11.73 / 0.78	17.54 / 0.78	32.04 / 0.78
FRONT AXLE	Mack FXL 14.6		Mack FXL 16.5
Capacity	14,600 lbs (6.6t)		16,500 lbs (7.5t)
Suspension	Front Multileaf Spring		
	Front Parabolic Spring		
	Front Parabolic Spring - Heavy Duty		
CHASSIS FRAME	STANDARD	OPTION	OPTION
Rail Dimensions	300 x 90 x 8mm	300 x 90 x 9.5mm	300 x 90 x 11.1mm

REAR AXLE	STANDARD	STANDARD	OPTION
Axle Type	Meritor RT46-160GP	Mack 2370B	Meritor RT52 - 185GP
Capacity	46,000 lbs (21t)	50,000 lbs (23t)	52,000 lbs (24t)
Suspension	Mack AP460 Air Suspension		
	Rear leaf suspension - B-Ride		
	Mack Air Suspension		
	Rear leaf suspension 75mm T-Ride spring		
CAB	Fusion Cab, ECE29 (cab strength test) compliant		
Cab Storage	Overhead storage available		
	Rear Wall storage available		
	Door Storage (2 pockets)		
	Centre storage console available		
Cab Type	Day Cab		
	Super Cab - 710mm Rear Cabin Extension (28")		
	Sleeper - 914mm Stand-Up Mid-Rise (36")		
	Sleeper - 1,473mm High-Rise (58")		
	Sleeper - 1,778mm Stand-Up Mid-Rise (70")		
BRAKE SYSTEM	Bendix Antilock Braking System		
	"S" Cam Air Brake System		
Front Brakes	Front 'S' Cam with Iron Brake Drum		
	Front Disc Brake		
Rear Brakes	Rear 'S' Cam with Iron Brake Drum		
	Rear Disc Brake		
	ABS		
	Grade Gripper - Hill Start Assist		
	Mack Road Stability Advantage (ESP - Electronic Stability Program)		

☐ Shaded areas indicate optional specifications.

SAFETY	Advanced active safety technology
Alerts	Alert Prioritisation
	Bendix Blindspotter
	Following Distance Alert
	Impact Alert
	Lane Departure Warning
	Stationary Object Alert
Braking Intervention	Stationary Vehicle Braking
	Enhanced Collision Mitigation
	Adaptive Cruise Control With Braking
	Multi-Lane Automated Emergency Braking
	Highway Departure Braking
FUEL TANKS	Various fuel packaging options available
LHS	265L & 350L Round tanks
	250L, 400L, 450L, 500L, 590L, 610L & 620L 'D'-Shape tanks
RHS	350L Round tank
	400L, 410L, 450L & 575L 'D'-Shape tanks

ADBLUE TANKS	DEF TANKS
LHS Outside of Frame	150L & 200L 'D'-Shape tanks
RHS Outside of the Frame	125L Round Tank & 150L 'D'-Shape tanks
Underbelly Tank	200L Underbelly Tank
WHEELS	10 Stud Options
285mm PCD	8 1/4" and 9" steel disc
	8 1/4" machine buff disc
	8 1/4" and 9" polished alloy disc
	8 1/4" and 9" polished Dura-Bright alloy disc
335mm PCD	8 1/4" and 9" steel disc
	8 1/4" and 9" polished alloy disc
	8 1/4" and 9" polished Dura-Bright alloy disc
TYRES	Bridgestone / Michelin tyres
PAINT	Cab/sleeper: Single non-metallic cab colour (Incredible White standard)
	Chassis: Single non-metallic chassis colour (Black standard)
ACCESSORIES	Many factory fitted accessories which are not listed are also available
	All customers are encouraged to see their Authorised Dealer for full details

Shaded areas indicate optional specifications.



MACK®

All illustrations, specifications and descriptions in this specification are based on the latest product information available at the time of this publication. The right is reserved to make changes in price, materials, equipment, design, specifications, diagrams and models, and to discontinue models of equipment at any time, without notice and without incurring any obligation whatsoever. For more information on additional options and accessories, contact Mack Trucks Australia. (www.macktrucks.com.au).

©2024 Mack Trucks, Inc. All rights reserved. Mack, Mack and the Bulldog design, Bulldog and all other marks contained herein are registered trademarks of Mack Trucks, Inc. and/or Mack Trucks, Inc. affiliated companies. All other marks contained herein are the property of their respective owners.

SS-MTA-CLX-090524

