

MACK[®]

Maximise your payload.



MACK TRIDENT

The Mack Trident range is built with versatility in mind, proving itself in the heavy construction and line-haul applications. The Trident with axle forward configuration is perfect for extreme axle measurements to maximise payload. The Mack Trident Axle Forward will make light work of navigating a tipper and dog on any worksite.

Max GVWR

27.6
TONNE

Power

535
MAX HP

Peak Torque

1,920
LBS.-FT. MAX

TRIDENT

Key Features

The front axle position offers optimum payload making it perfect for tipper and dog applications

Powered by the Mack MP8 eSCR engine delivering up to 535hp and 1920lb.ft. (2600Nm) torque

mDRIVE™ automated manual transmission with deep reduction gears, takes all the effort out of gear changes and provides flexibility in low speed applications

Introducing dual voltage system, 12V cab and chassis with 24V engine and transmission

Mack Infotainment system, compatible with Apple CarPlay, Android Auto compatibility and wireless phone charging pocket

“Road Stability Advantage” rollover prevention

Quiet and comfortable cab with new cab suspension for an improved ride

Great fuel economy and low emissions

Built in Australia for Australian conditions

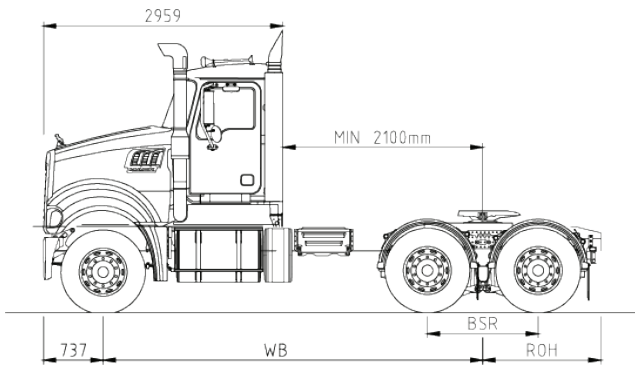


Comfortable Interiors

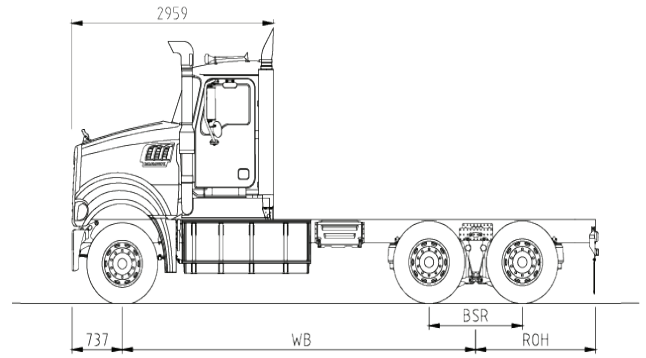
The Mack Trident comes with new levels of driver comfort and functionality, to keep drivers comfortable and safe all day. Tilt/telescoping steering column, air suspension driver seat and all controls within reach keep drivers in control.

Total Support

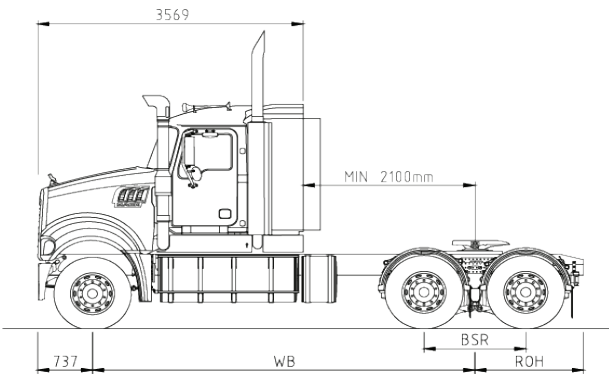
Mack Genuine Parts are as tough as your truck. With premium materials and precision engineering, they're built to take whatever the road can throw at them. Mack Total Support gives you the added confidence of warranties, servicing and maintenance from the people who made your machine. With Australia's largest dealer network, you can take advantage of the peace of mind that comes with a Mack service plan tailored to your business.



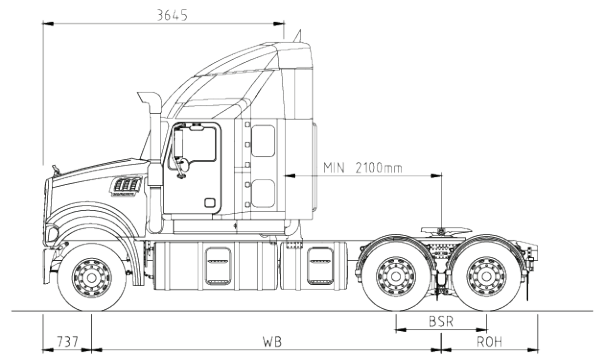
6x4 Day Cab Tractor



6x4 Day Cab Rigid



6x4 28" Super Cab (710mm)



6x4 36" Stand-Up Sleeper (914mm)

Configuration*	6x4			
GCM	Please speak with your Mack Dealer for GCM ratings specific to your chosen spec.			
Cab Type	Day Cab Tractor	Day Cab Rigid	28" Super Cab	36" Sleeper
Wheelbase	(mm.) 4,720, 4,745 4,770, 4,795 4,970, 4,995 5,120, 5,145 5,420, 5,445 5,770, 5,795	5,445, 5,795	5,145	5,270, 5,295
Maximum Fuel Capacity**	L 850	970	1,005	1,540
AdBlue Tank Capacity**	L 95 125	125	125	150 200

*Other configuration options available via C.A.

**Various fuel packages available.

ENGINE	Mack MP8 13 litre, 500hp & 535hp eSCR Emission Level Euro6 (ADR80-04)		
	500hp (373kW) / 1840lb.ft (2490Nm)		
	535hp (399kW) / 1920lb.ft (2600Nm)		
Engine Brake	Advanced PowerLeash engine brake Engine retarding power up to 495hp (370kW)		
Exhaust	Single RHS frame mounted catalyst with stainless steel heat shield		
	Outlet twin 152mm (6") vertical exhaust		
	Exhaust tip height above ground 3.5m		
	RHS low underframe exhaust outlet		
Air Intake & Filter	Donaldson 279mm (11") single dry type element, dual canisters mounted under cab		
	Steel dust extractors and external raised air intakes mounted in front of the cabin 'A' pillars		
TRANSMISSION	STANDARD	OPTION	OPTION
Transmission Type	AMT <i>m</i> DRIVE 12-speed	AMT <i>m</i> DRIVE HD 13-speed	AMT <i>m</i> DRIVE XHD 14-speed
Multispeed Reverse Gears	4	6	6
LO / HI	14.94 / 1.00	17.54 / 1.00	32.04 / 1.00
FRONT AXLE	Mack FXL 14.6 Single Steer		
Capacity	14,600 lbs (6.6t)		
Suspension	Front Parabolic Spring		
CHASSIS FRAME	STANDARD	OPTION	
Rail Dimensions	300 x 90 x 8mm	300 x 90 x 9.5mm	

REAR AXLE	STANDARD	OPTION
Axle Type	Meritor RT46-160GP	Mack 2370B
Capacity	46,000 lbs (21t)	50,000 lbs (23t)
Suspension	Mack AL460 Air Suspension	
	Mack AP460 Air Suspension	
	Mack Air Ride Suspension	
CAB	Fusion Cab, ECE29 (cab strength test) compliant	
Cab Storage	Overhead storage available	
	Rear Wall storage available	
	Door Storage (2 pockets)	
	Centre storage console available	
Cab Type	Day Cab	
	Super Cab - 710mm Rear Cabin Extension (28")	
	Sleeper - 914mm Stand-Up Mid-Rise (36")	
BRAKE SYSTEM	Bendix Antilock Braking System	
Front Brakes	Front 'S' Cam with Iron Brake Drum	
	Front Disc Brake	
Rear Brakes	Rear 'S' Cam with Iron Brake Drum	
	Rear Disc Brake	
	ABS	
	Grade Gripper - Hill Start Assist	
	Mack Road Stability Advantage (ESP - Electronic Stability Program)	

■ Shaded areas indicate optional specifications.

SAFETY	Advanced active safety technology
Alerts	Alert Prioritisation
	Bendix Blindspotter
	Following Distance Alert
	Impact Alert
	Lane Departure Warning
Braking Intervention	Stationary Object Alert
	Stationary Vehicle Braking
	Enhanced Collision Mitigation
	Adaptive Cruise Control With Braking
	Multi-Lane Automated Emergency Braking
FUEL TANKS	Highway Departure Braking
	Various fuel packaging options available
LHS	350L, 400L, 500L & 585L Round tanks
	360L & 700L 'D'-Shape tanks
RHS	350L, 385L & 420L Round tanks
	480L 'D'-Shape tank

ADBLUE TANKS	DEF TANKS
LHS Outside of Frame	95L & 125L Round tanks and 150L 'D'-Shape tanks
WHEELS	10 Stud Options
285mm PCD	8¼" steel disc
	8¼" machine buff disc
	8¼" and 9" polished alloy disc
	8¼" and 9" polished Dura-Bright alloy disc
335mm PCD	8¼" steel disc
	8¼" and 9" polished alloy disc
	8¼" and 9" polished Dura-Bright alloy disc
TYRES	Bridgestone / Michelin tyres
PAINT	Cab/sleeper: Single non-metallic cab colour (Incredible White standard)
	Chassis: Single non-metallic chassis colour (Black standard)
ACCESSORIES	Many factory fitted accessories which are not listed are also available
	All customers are encouraged to see their Authorised Dealer for full details

Shaded areas indicate optional specifications.



MACK®

All illustrations, specifications and descriptions in this specification are based on the latest product information available at the time of this publication. The right is reserved to make changes in price, materials, equipment, design, specifications, diagrams and models, and to discontinue models of equipment at any time, without notice and without incurring any obligation whatsoever. For more information on additional options and accessories, contact Mack Trucks Australia. (www.macktrucks.com.au).

©2024 Mack Trucks, Inc. All rights reserved. Mack, Mack and the Bulldog design, Bulldog and all other marks contained herein are registered trademarks of Mack Trucks, Inc. and/or Mack Trucks, Inc. affiliated companies. All other marks contained herein are the property of their respective owners.

SS-MTA-CMH-090524

